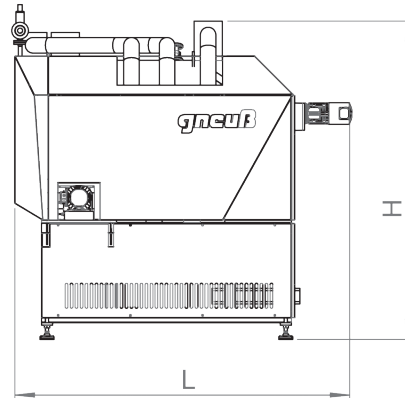


Technical data Jump

	V 600	V1000	V 2000
Length L mm	3050	3050	3400
Width B mm	2150	2350	2550
Height H mm	2900	3000	3100
Throughput rate in kg/h	100 – 1000	160 - 1600	350 – 3200
IV Aufbau dl/g	0,05 – 0,3	0,05 - 0,3	0,05 – 0,3
Öltemperievolumen dm³	150	240	350
Benötigte Heizleistung kW	45	65	100
Antriebsleistung (Pumpe) kW	4	5,5	11
Antriebsleistung (Rührwerk) kW	2,2	4,0	5,5
Angelegtes Vakuum mbara	0,5 - 25	0,5 - 25	0,5 - 25



* As each extruder is tailored to a specific project, the technical data may deviate from the values listed in this table. Detailed information on the relevant technical data is provided to you with on quotation.