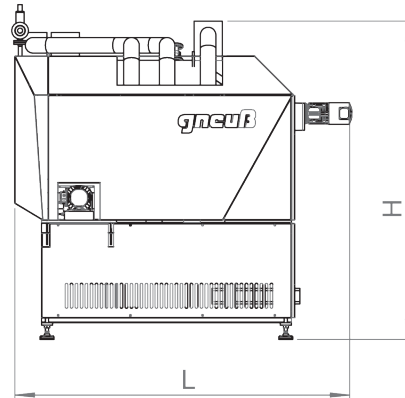


## Technical data Jump

	V 600	V1000	V 2000
<b>Length L mm</b>	3050	3050	3400
<b>Width B mm</b>	2150	2350	2550
<b>Height H mm</b>	2900	3000	3100
<b>Throughput rate in kg/h</b>	100 – 1000	160 - 1600	350 – 3200
<b>IV Boost dl/g</b>	0,05 – 0,3	0,05 - 0,3	0,05 – 0,3
<b>Heat transfer medium dm<sup>3</sup></b>	150	240	350
<b>Heater rating kW</b>	45	65	100
<b>Pump drive kW</b>	4	5,5	11
<b>Agitator drive kW</b>	2,2	4,0	5,5
<b>Vacuum mbar</b>	0,5 - 25	0,5 - 25	0,5 - 25



\* As each extruder is tailored to a specific project, the technical data may deviate from the values listed in this table. Detailed information on the relevant technical data is provided to you with on quotation.