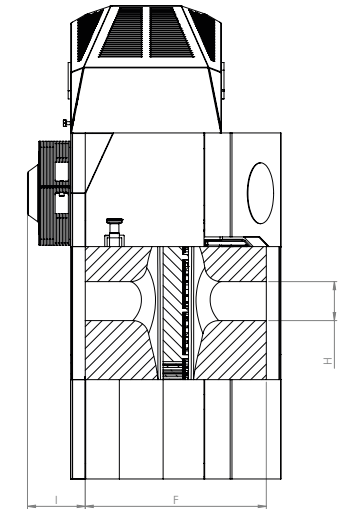
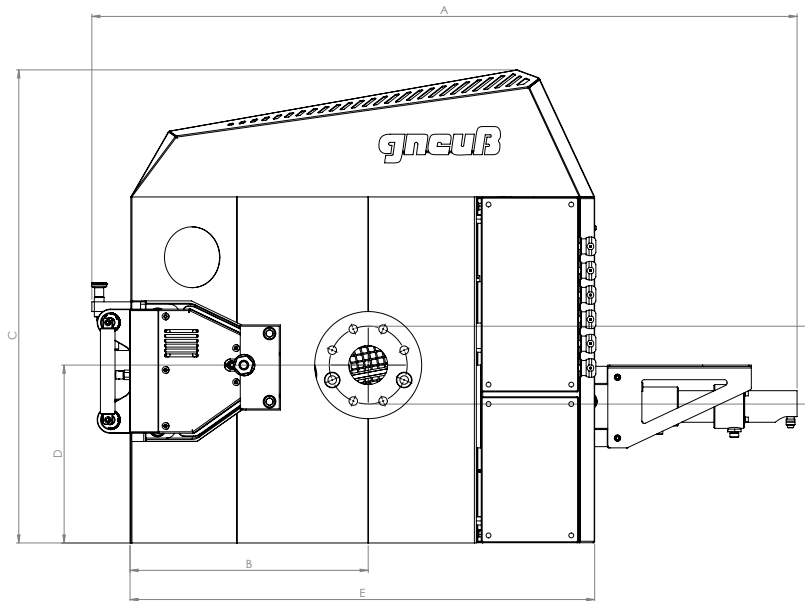


RSFgenius Series

Technical Data



Subject to modifications.

| filter type | screen area in cm ² | | heating capacity in watt | | electric heater zones ⁽¹⁾ | pressure in bar max. ⁽²⁾ | temp. in °C max. ⁽³⁾ | Q in kg/h ⁽⁴⁾ | dimensions in mm | | | | | | | | | weight in kg |
|----------------------|--------------------------------|------------|--------------------------|--------|--------------------------------------|-------------------------------------|---------------------------------|--------------------------|------------------|-------|-------|-----|-------|-----|-----|------------------|-----|--------------|
| | active | capacity/h | electric | liquid | | | | | A | B | C | D | E | F | G | H ⁽⁵⁾ | I | |
| RSFgenius 45 | 55 | 1.700 | 8.000 | 9.000 | 3 | 350 | 320 | 260 | 1.095 | 330 | 740 | 210 | 445 | 196 | 110 | 25 | 120 | 250 |
| RSFgenius 60 | 100 | 2.200 | 8.200 | 9.000 | 3 | 350 | 320 | 470 | 1.095 | 330 | 765 | 210 | 485 | 196 | 110 | 25 | 120 | 250 |
| RSFgenius 75 | 150 | 2.800 | 8.600 | 9.000 | 3 | 350 | 320 | 700 | 1.260 | 350 | 810 | 240 | 535 | 232 | 140 | 25 | 93 | 420 |
| RSFgenius 90 | 255 | 4.400 | 18.500 | 24.000 | 4 | 300 | 320 | 1.100 | 1.370 | 460 | 990 | 320 | 640 | 328 | 160 | 25 | 118 | 930 |
| RSFgenius 150 | 450 | 7.000 | 18.700 | 24.000 | 4 | 300 | 320 | 2.100 | 1.440 | 490 | 1.060 | 365 | 710 | 372 | 160 | 35 | 119 | 1.200 |
| RSFgenius 175 | 700 | 9.700 | 26.200 | 36.000 | 4 | 250 | 320 | 3.300 | 1.820 | 630 | 1.370 | 475 | 890 | 419 | 220 | 40 | 144 | 2.200 |
| RSFgenius 200 | 970 | 12.300 | 39.000 | 48.000 | 6 | 200 | 320 | 4.560 | 1.970 | 705 | 1.525 | 550 | 1.040 | 566 | 250 | 45 | 143 | 3.800 |
| RSFgenius 250 | 1.350 | 15.800 | 45.000 | 48.000 | 6 | 200 | 320 | 6.350 | 2.030 | 780 | 1.630 | 620 | 1.110 | 622 | 250 | 50 | 187 | 4.900 |
| RSFgenius 330 | 2.150 | 23.900 | - | 60.000 | - | 200 | 320 | 10.100 | 2.570 | 975 | 1.910 | 740 | 1.375 | 704 | 250 | 50 | 210 | 8.200 |
| RSFgenius 400 | 2.800 | 30.900 | - | 72.000 | - | 180 | 320 | 13.150 | 2.750 | 1.130 | 2.200 | 850 | 1.610 | 812 | 350 | 50 | 210 | 13.000 |

1 – 1 heater zone for liquid heating | 2 – high pressure versions available as an option | 3 – up to 400 °C possible as an option

4 – based on: 10.000 Pas, 60 µm and Δ p 40 bar | 5 – The dimension „H“ can be freely chosen, the values given are minimum values.

Also available in ATEX design.