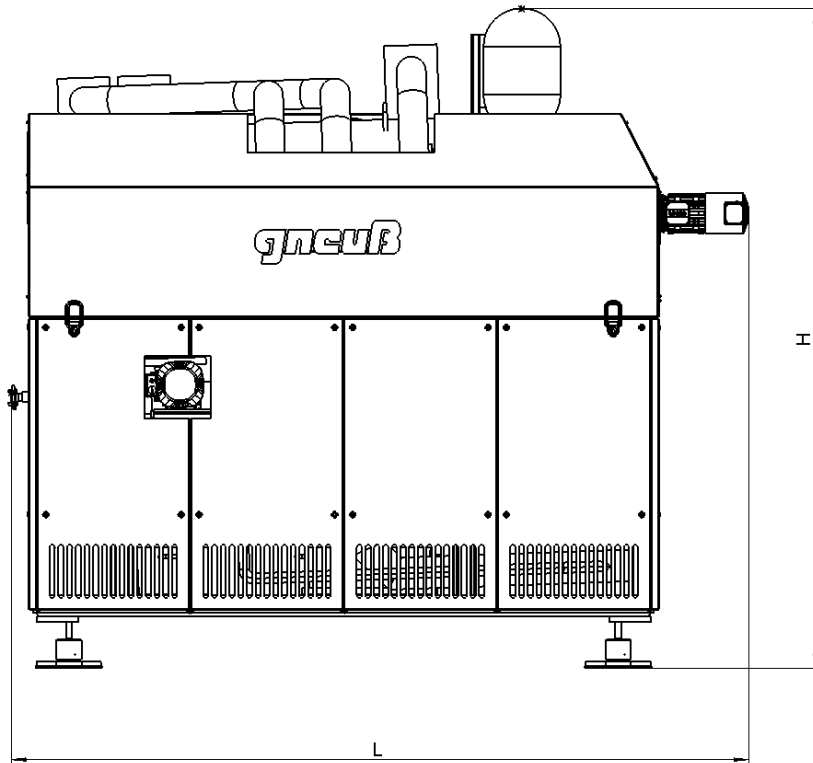


JUMP Polyreactor

Technical Data



Subject to modifications.

	V 600	V 1000	V1300	V2000	V2800	V4000	V5600
Length L mm	7,600	7,700	7,750	8,000	8,000	8,500	9,000
Width B mm	5,900	6,000	6,100	6,300	6,500	7,100	7,400
Height H mm	4,200	4,200	4,700	4,200	4,700	4,700	4,700
Weight G t	10	10,5	11	11,5	12,5	16	20
Throughput rate in kg/h	200	200-450	450-650	650-1000	1000-1400	1400-2000	2000
IV Boost dl/g	≤ 0.3	≤ 0.3	≤ 0.3	≤ 0.3	≤ 0.3	≤ 0.3	≤ 0.3
Vacuum mbar	1	1	1	1	1	1	1

* As each line is engineered to a specific project, the technical data may deviate from the values listed in this table. Detailed information on the relevant technical data is provided to you with your quotation.