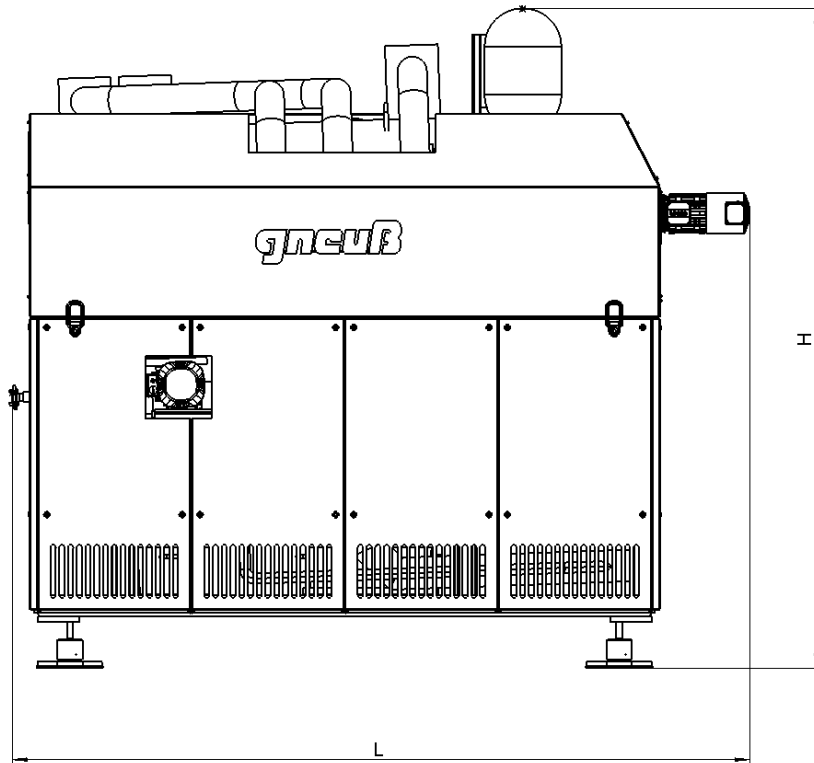


JUMP Polyreactor

Technical Data



Subject to modifications.

	V 600	V 1000	V1300	V2000	V2800	V4000	V5600
Length L in	300	303	305	315	315	335	354
Width B in	232	236	240	248	256	280	291
Height H in	165	165	185	165	185	185	185
Weight G t	10	10,5	11	11,5	12,5	16	20
Throughput rate in lbs/h	441	441-992	992-1433	1433-2205	2205-1400	3086-4409	4409
IV Boost dl/g	≤ 0.3	≤ 0.3	≤ 0.3	≤ 0.3	≤ 0.3	≤ 0.3	≤ 0.3
Vacuum mbar	1	1	1	1	1	1	1

* As each line is engineered to a specific project, the technical data may deviate from the values listed in this table. Detailed information on the relevant technical data is provided to you with your quotation.