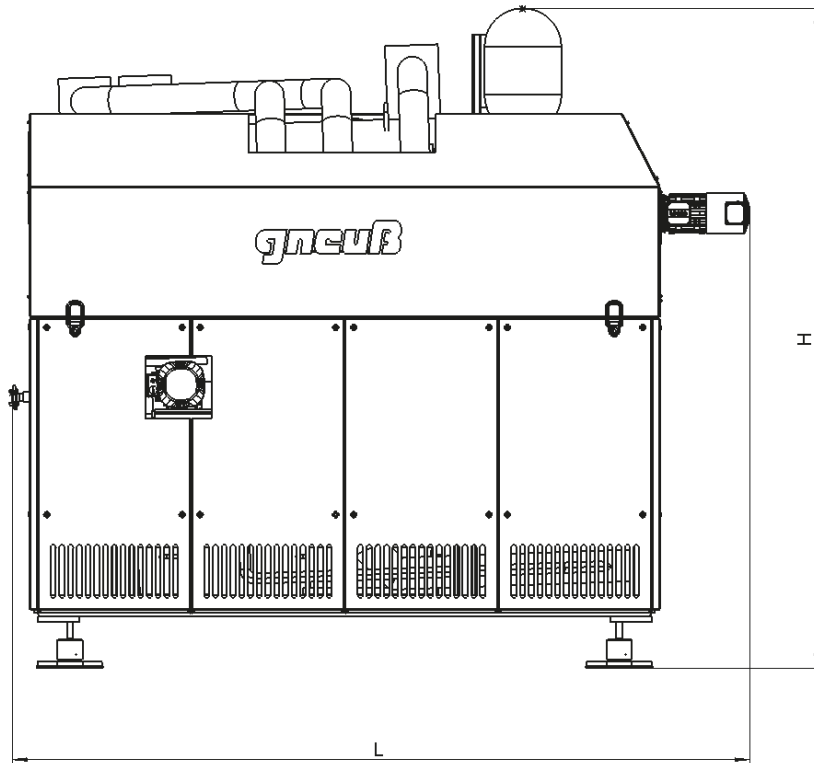


JUMP Polyreactor

Technical Data



Subject to modifications.

	JUMP 600	JUMP 1000	JUMP 1300	JUMP 2000	JUMP 2800	JUMP 4000	JUMP 5600
Length L mm	7.600	7.700	7.750	8.000	8.000	8.500	9.000
Width B mm	5.900	6.000	6.100	6.300	6.500	7.100	7.400
Height H mm	4.200	4.200	4.700	4.200	4.700	4.700	4.700
Weight t	10	10,5	11	11,5	12,5	16	20
Throughput rate in kg/h	200	200-450	450-650	650-1.000	1.000-1.400	1.400-2.000	2.000-2.800
IV Boost dl/g	≤ 0.3	≤ 0.3	≤ 0.3	≤ 0.3	≤ 0.3	≤ 0.3	≤ 0.3
Vacuum mbar	1	1	1	1	1	1	1

* As each machine is engineered to a specific project, the technical data may deviate from the values listed in this table. Detailed information on the relevant technical data is provided to you with your quotation.