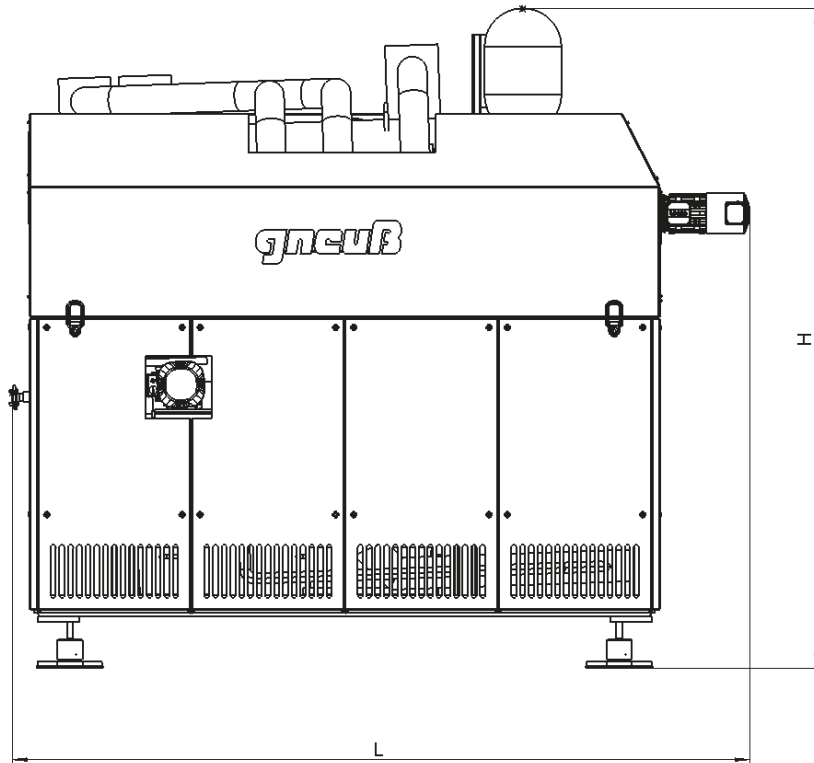


JUMP Polyreactor

Technical Data



Subject to modifications.

| | JUMP 600 | JUMP 1000 | JUMP 1300 | JUMP 2000 | JUMP 2800 | JUMP 4000 | JUMP 5600 |
|-------------------------|----------|-----------|-----------|-----------|-------------|-------------|-------------|
| Length L in | 300 | 303 | 305 | 315 | 315 | 335 | 354 |
| Width B in | 232 | 236 | 240 | 248 | 256 | 280 | 291 |
| Height H in | 165 | 165 | 185 | 165 | 185 | 185 | 185 |
| Weight t | 10 | 10.5 | 11 | 11.5 | 12.5 | 16 | 20 |
| Throughput rate in kg/h | 200 | 200-450 | 450-650 | 650-1.000 | 1.000-1.400 | 1.400-2.000 | 2.000-2.800 |
| IV Boost dl/g | ≤ 0.3 | ≤ 0.3 | ≤ 0.3 | ≤ 0.3 | ≤ 0.3 | ≤ 0.3 | ≤ 0.3 |
| Vacuum mbar | 1 | 1 | 1 | 1 | 1 | 1 | 1 |

* As each machine is engineered to a specific project, the technical data may deviate from the values listed in this table. Detailed information on the relevant technical data is provided to you with your quotation.