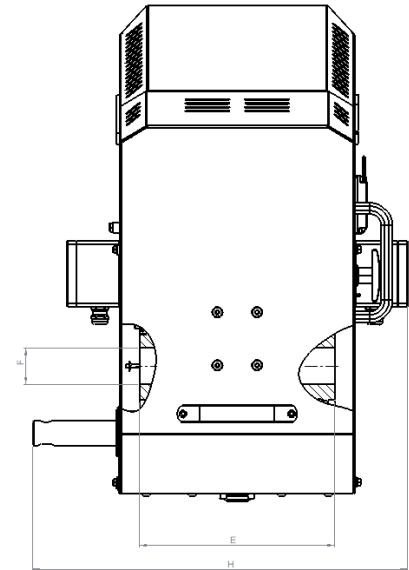
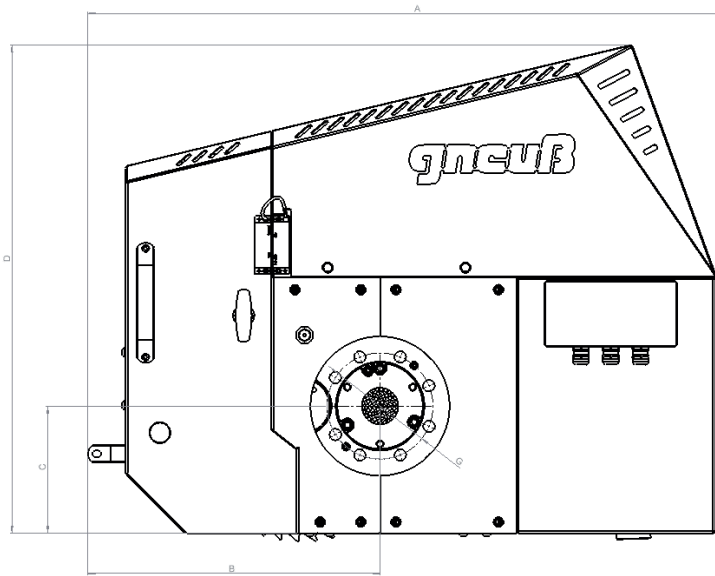


KSF Series

Technical Data



Subject to modifications.

filter type	screen area	heating capacity in watt		heater zones (1)	pressure in bar max. (2)	temp. in °C max. (3)	Q in kg/h (4)	dimensions in mm								weight in kg
		electric	liquid					A	B	C	D	E	F	G	H	
	active in cm ²			electric												
KSF 45	16	3.800	-	2	400	320	201	909	389	157	580	145	20	135	429	118
KSF 60	28	4.400	-	2	450	320	500	887	337	245	725	196	25	110	431	244
KSF 75	45	5.680	-	2	350	320	212	810	398	178	759	230	25	140	501	227
KSF 90	64	10.200	-	2	400	320	301	958	441	192	736	295	25	160	566	370
KSF 110	104	9.600	-	2	350	320	489	1.014	493	244	856	362,5	30	230	606	570
KSF 150	176	16.000	-	3	350	320	2.100	1.196	567	329	1.140	445	35	300	539	1.180
KSF 175	240	20.200	-	3	300	320	1.128	1.317	663	468	1.288	490	40	220	617	1.725
KSF 200	315	-	36.000	-	300	320	1.481	1.713	772	555	1.402	560	45	250	853	2.900
KSF 250	490	-	62.000	-	300	320	2.302	1.773	837	585	1.502	660	50	250	909	3.600

(1) = 1 heater zone for liquid heating.

(2) = High pressure versions available as an option.

(3) = Up to 400 °C possible as an option.

(4) = Based on: 1000 Pas, 60 µm und Δp 40 bar.