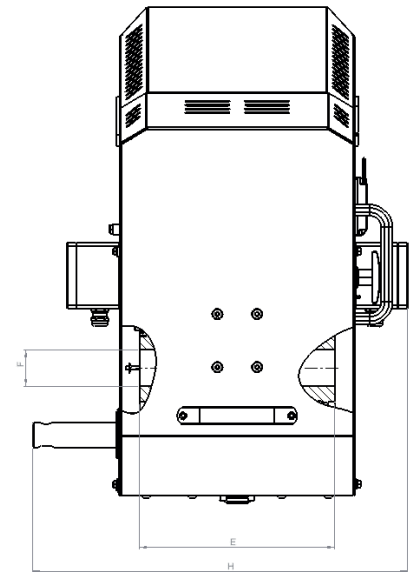
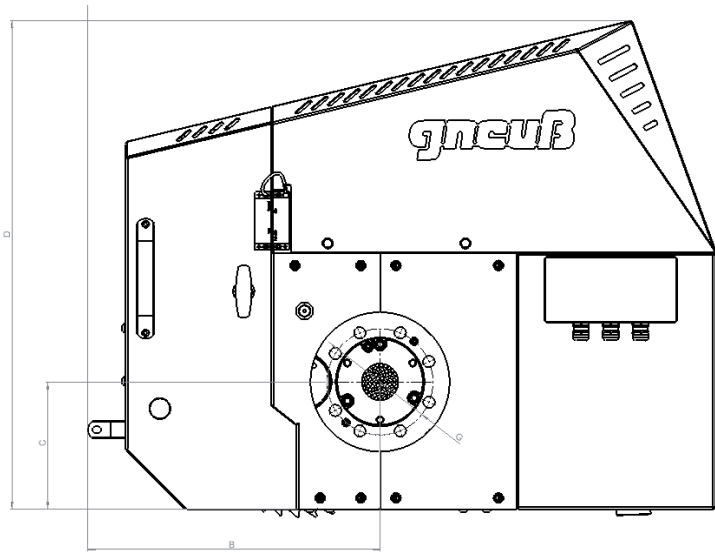


KSF Series

Technical Data



Subject to modifications.

filter type	screen area	heating capacity in watt		heater zones (1)	pressure in psi max. (2)	temp. in °F max. (3)	Q in lbs/h (4)	dimensions in inches								weight in lbs
		electric	liquid					A	B	C	D	E	F	G	H	
	active in in ²			electric												
KSF 45	2	3800	-	2	5,800	600	166	36	15	6	23	6	1	5	17	260
KSF 60	4	4400	-	2	5,000	600	1,100	35	13	10	29	8	1	4	17	500
KSF 75	7	5680	-	2	5,100	600	470	32	16	7	30	9	1	5	20	500
KSF 90	10	10,200	-	2	5,800	600	670	38	17	8	29	12	1	6	22	820
KSF 110	16	9,600	-	2	5,100	600	1,080	40	19	10	34	14	1	9	24	1,300
KSF 150	27	16,000	-	3	4,350	600	4,600	47	22	13	45	18	1	12	21	2,000
KSF 175	37	20,200	-	3	3,500	600	6,400	52	26	18	51	19	2	9	24	3,300
KSF 200	49	-	36,000	-	2,900	600	8,800	67	30	22	55	22	2	10	34	6,400
KSF 250	76	-	62,000	-	2,900	600	13,200	70	33	23	59	26	2	10	36	8,000

(1) = 1 heater zone for liquid heating.

(2) = High pressure versions available as an option.

(3) = Up to 750 °F possible as an option.

(4) = Based on: 10,000 poise, 60 microns and Δp 600 psi.