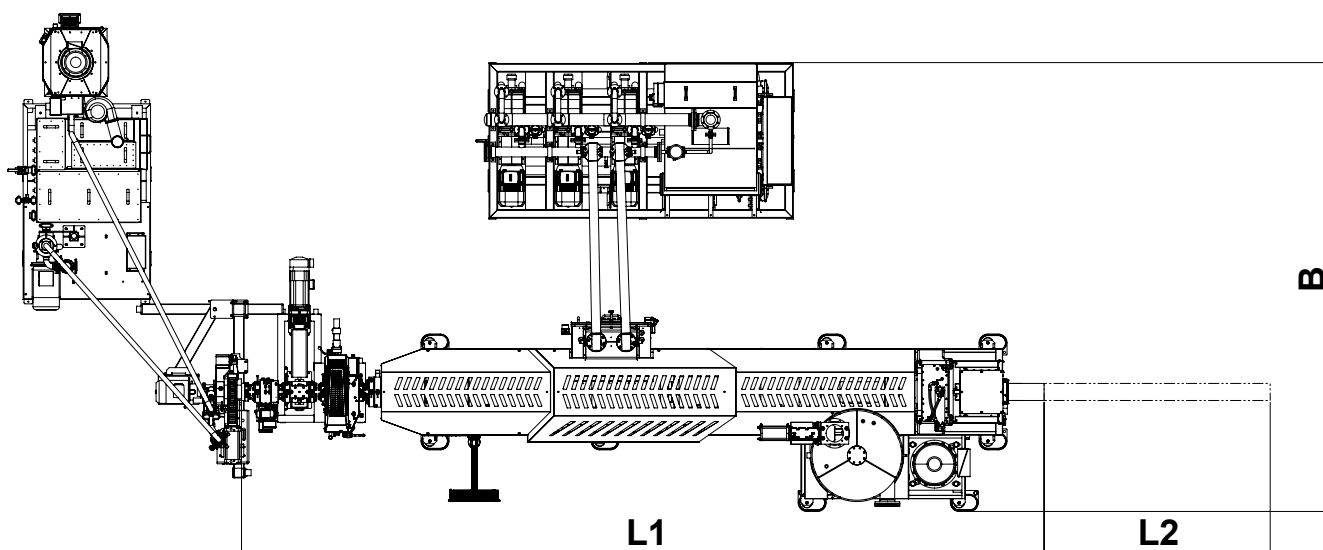
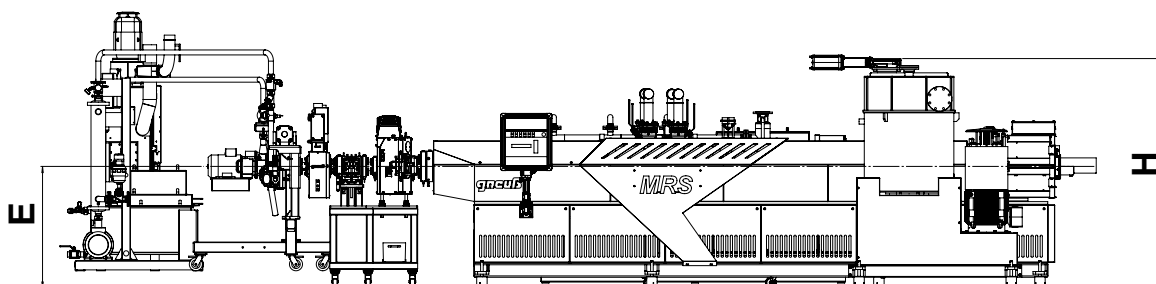


# OMNI Recycling System

## Technical Data



Subject to modifications.

	OMNI 70	OMNI 90	OMNI 110	OMNI 130	OMNI 160	OMNI 200
Throughput PET fiber and BOPET kg/h	250	450	650	1,000	1,400	2,000
Throughput PET bottle flakes kg/h	275	500	700	1,100	1,500	2,200
Throughput PP / PE regrind kg/h	180	320	450	720	980	1,400
Throughput PA fiber kg/h	250	450	650	1,000	1,400	2,000
Throughput PS regrind kg/h	200	350	500	800	1,100	1,600
Height H in	106	108	115	118	125	130
Extrusion height E in	45	45	50	50	60	60
Length L1 in	255	290	330	390	500	420
Length L2 in	115	135	160	180	255	180
Width B in	255	265	275	280	290	315

\* As each system is engineered for a specific project, the technical data may deviate from the values listed in this table. Detailed information on the relevant technical data is provided to you with your quotation.