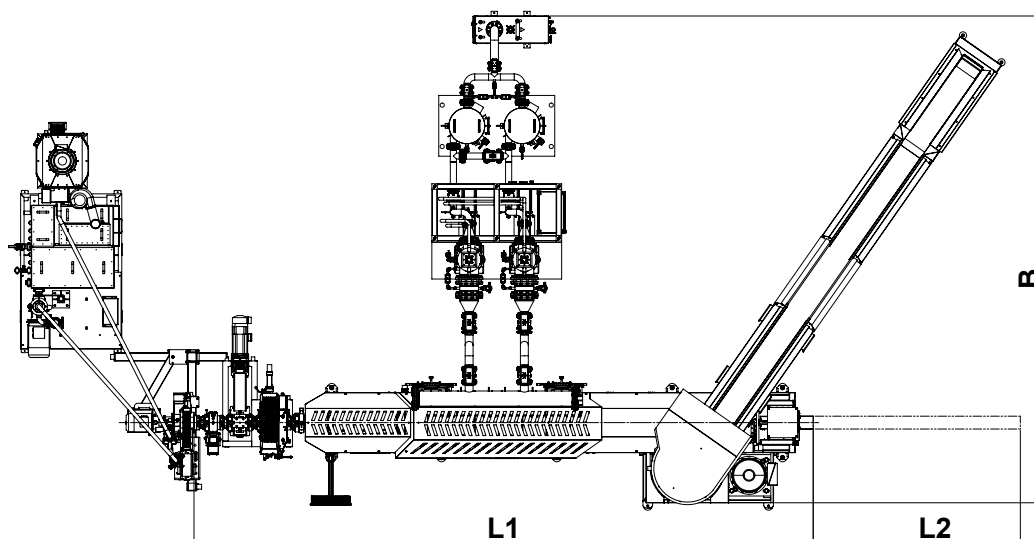
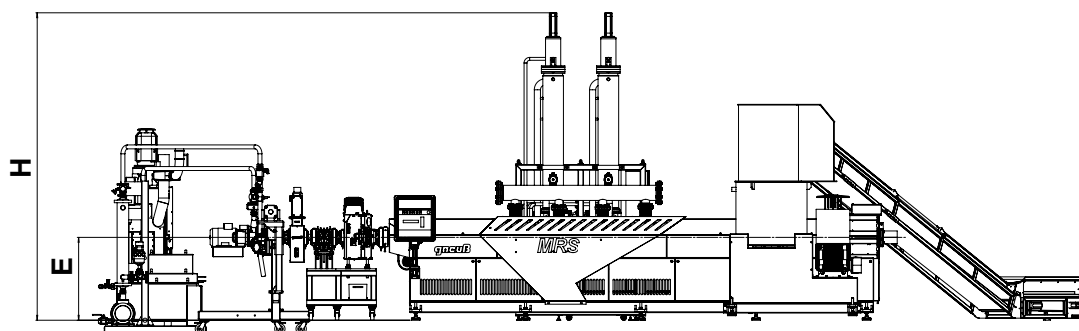


OMNI*max* Recycling System

Technical Data



Subject to modifications.

	OMNI <i>max</i> 70	OMNI <i>max</i> 90	OMNI <i>max</i> 110	OMNI <i>max</i> 130	OMNI <i>max</i> 160	OMNI <i>max</i> 200
Throughput PET fiber und BOPET kg/h	250	450	650	1.000	1.400	2.000
Throughput PET bottle flakes kg/h	275	500	700	1.100	1.500	2.200
Throughput PP/PE regrind kg/h	180	320	450	720	980	1.400
Throughput PA fiber kg/h	250	450	650	1.000	1.400	2.000
Throughput PS regrind kg/h	200	350	500	800	1.100	1.600
Height H mm	4.450	4.450	4.450	4.450	4.450	4.450
Extrusion height E	1.150	1.150	1.300	1.300	1.450	1.450
Length L1 mm	7.400	8.600	9.900	11.500	15.000	12.400
Length L2 mm	3.000	3.400	4.000	4.600	6.500	4.600
Width B mm	6.450	6.700	7.000	7.020	7.400	8.050

* As each system is engineered for a specific project, the technical data may deviate from the values listed in this table. Detailed information on the relevant technical data is provided to you with your quotation.