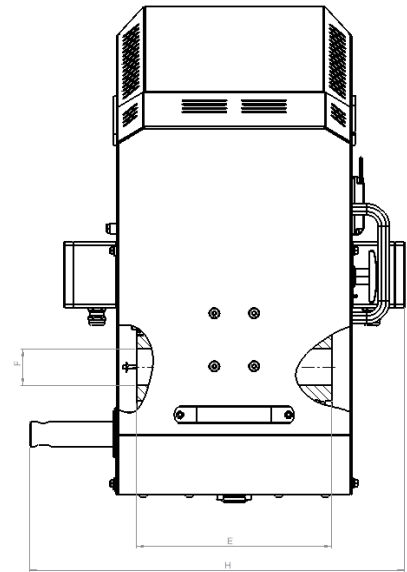
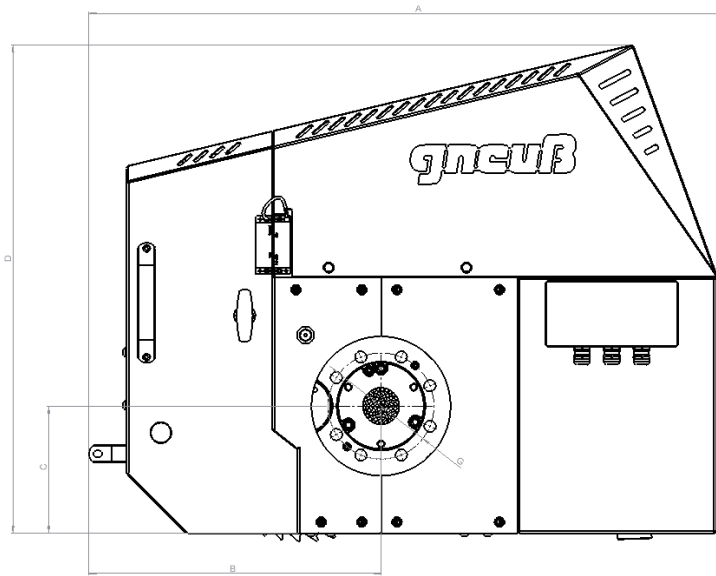


# KSF Series

## Technical Data



Subject to modifications.

Filter type	active screen area in cm <sup>2</sup>	electric heater zones <sup>(1)</sup>	max. pressure in bar <sup>(2)</sup>	max. temp. in °C <sup>(3)</sup>	Q in kg/h	dimensions in mm								weight in kg
						A	B	C	D	E	F	G	H	
<b>KSF 45</b>	16	2	450	320	75	909	389	157	580	145	20	135	429	118
<b>KSF 60</b>	28	2	450	320	132	887	390	245	725	196	25	135	431	244
<b>KSF 75</b>	45	2	450	320	212	810	398	178	759	230	25	140	501	227
<b>KSF 90</b>	64	2	400	320	301	958	441	192	736	295	25	160	566	370
<b>KSF 110</b>	104	2	400	320	489	1.014	493	244	856	363	30	230	606	570
<b>KSF 130</b>	135	2	350	320	635	1.156	537	289	940	405	35	300	580	950
<b>KSF 150</b>	176	3	350	320	827	1.196	567	329	1.140	445	35	300	539	1.180
<b>KSF 175</b>	240	3	300	320	1.128	1.317	553	468	1.288	490	40	220	617	1.725
<b>KSF 200</b>	315	3	300	320	1.481	1.713	772	555	1.402	560	45	250	853	2.900
<b>KSF 250</b>	490	-	300	320	2.303	1.773	837	585	1.502	660	50	250	909	3.600
<b>KSF 300</b>	705	-	250	320	3.314	1.910	970	678	2.040	670	50	250	1.054	6.500
<b>KSF 350</b>	961	-	250	320	4.517	1.910	970	678	2.040	930	50	250	1.054	9.000

(1) = 1 heater zone for liquid heating.

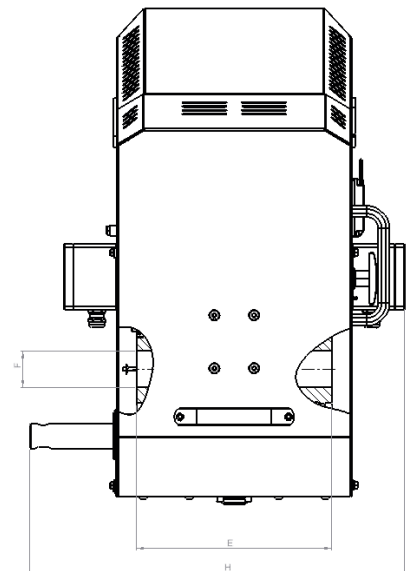
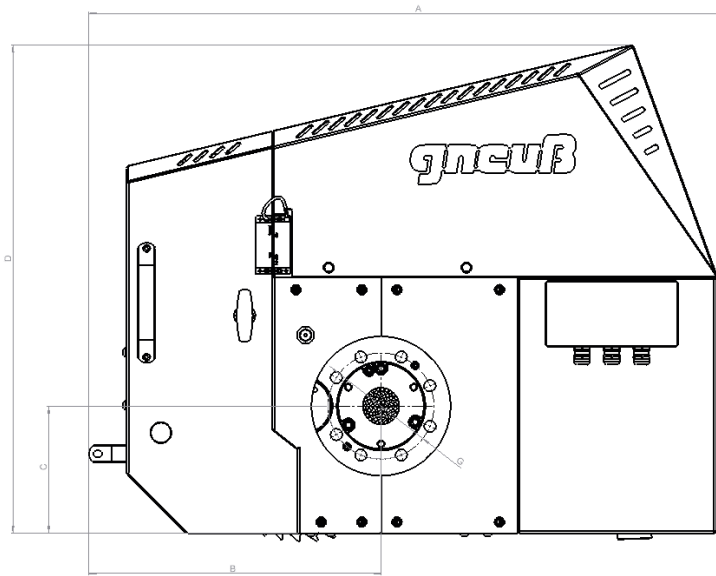
(2) = High pressure versions available as an option.

(3) = Up to 400 °C possible as an option.

(4) = Based on: 1000 Pas, 60 µm und Δp 40 bar.

# KSF Serie

## Technische Daten



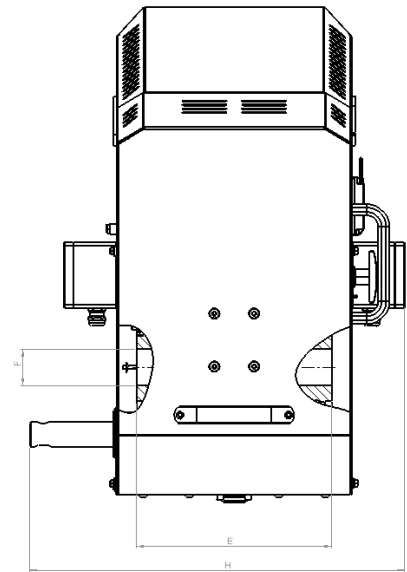
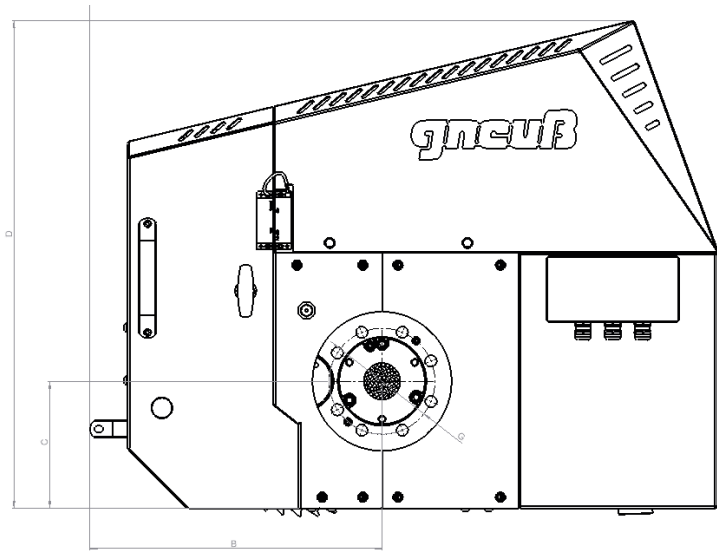
Anderungen vorbehalten.

Filtertyp	Aktive Filterfläche in cm <sup>2</sup>	Elektrische Heizzonen <sup>(1)</sup>	Max. Druck in bar <sup>(2)</sup>	Max. Temp. in °C <sup>(3)</sup>	Q in kg/h	Abmessungen in mm								Gewicht in kg
						A	B	C	D	E	F	G	H	
<b>KSF 45</b>	16	2	450	320	75	909	389	157	580	145	20	135	429	118
<b>KSF 60</b>	28	2	450	320	132	887	390	245	725	196	25	135	431	244
<b>KSF 75</b>	45	2	450	320	212	810	398	178	759	230	25	140	501	227
<b>KSF 90</b>	64	2	400	320	301	958	441	192	736	295	25	160	566	370
<b>KSF 110</b>	104	2	400	320	489	1.014	493	244	856	363	30	230	606	570
<b>KSF 130</b>	135	2	350	320	635	1.156	537	289	940	405	35	300	580	950
<b>KSF 150</b>	176	3	350	320	827	1.196	567	329	1.140	445	35	300	539	1.180
<b>KSF 175</b>	240	3	300	320	1128	1.317	553	468	1.288	490	40	220	617	1.725
<b>KSF 200</b>	315	3	300	320	1481	1.713	772	555	1.402	560	45	250	853	2.900
<b>KSF 250</b>	490	-	300	320	2303	1.773	837	585	1.502	660	50	250	909	3.600
<b>KSF 300</b>	705	-	250	320	3314	1.910	970	678	2.040	670	50	250	1054	6.500
<b>KSF 350</b>	961	-	250	320	4.517	1.910	970	678	2.040	930	50	250	1.054	9.000

- 1 – 1 Heizzone bei Flüssigbeheizung
- 2 – Kann optional erhöht werden
- 3 – In Option 400 °C möglich
- 4 – Bei 10.000 Pas, 60 µm und Δ p 40 bar

# KSF Series

## Technical Data



Subject to modifications.

Filter type	active screen area in in <sup>2</sup>	electric heater zones <sup>(1)</sup>	max. pressure in psi <sup>(2)</sup>	max. temp. in °F <sup>(3)</sup>	Q in lbs/h	dimensions in inch								weight in lbs
						A	B	C	D	E	F	G	H	
<b>KSF 45</b>	2	2	6,527	608	166	36	15	6	23	6	1	5	17	260
<b>KSF 60</b>	4	2	6,527	608	290	35	15	10	29	8	1	5	17	460
<b>KSF 75</b>	7	2	6,527	608	466	32	16	7	30	9	1	6	20	500
<b>KSF 90</b>	10	2	5,802	608	663	38	17	8	29	12	1	6	22	820
<b>KSF 110</b>	16	2	5,802	608	1,078	40	19	10	34	14	1	9	24	1,260
<b>KSF 130</b>	21	2	5,076	608	1,399	45	21	11	37	16	1	12	23	2,100
<b>KSF 150</b>	27	3	5,076	608	1,820	47	22	13	45	18	1	12	21	2,600
<b>KSF 175</b>	37	3	4,351	608	2,450	52	26	18	51	19	2	9	24	3,800
<b>KSF 200</b>	49	3	4,351	608	3,270	67	30	22	55	22	2	10	34	6,400
<b>KSF 250</b>	76	-	4,351	608	5,080	70	33	23	60	26	2	10	36	7,950
<b>KSF 300</b>	109	-	3,626	608	7,300	75	38	27	80	26	2	10	42	14,330
<b>KSF 350</b>	149	-	3,626	608	7,300	75	38	27	80	37	2	10	42	19,850

(1) = 1 heater zone for liquid heating.

(2) = High pressure versions available as an option.

(3) = Up to 750 °F possible as an option.

(4) = Based on: 10,000 poise, 60 microns and Δp 600 psi.