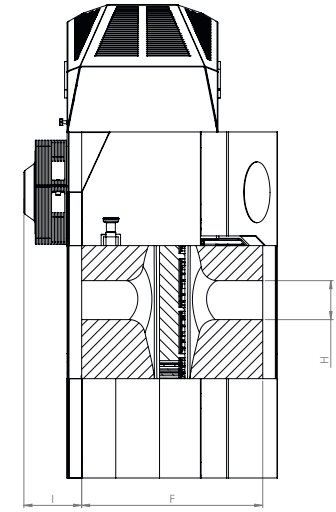
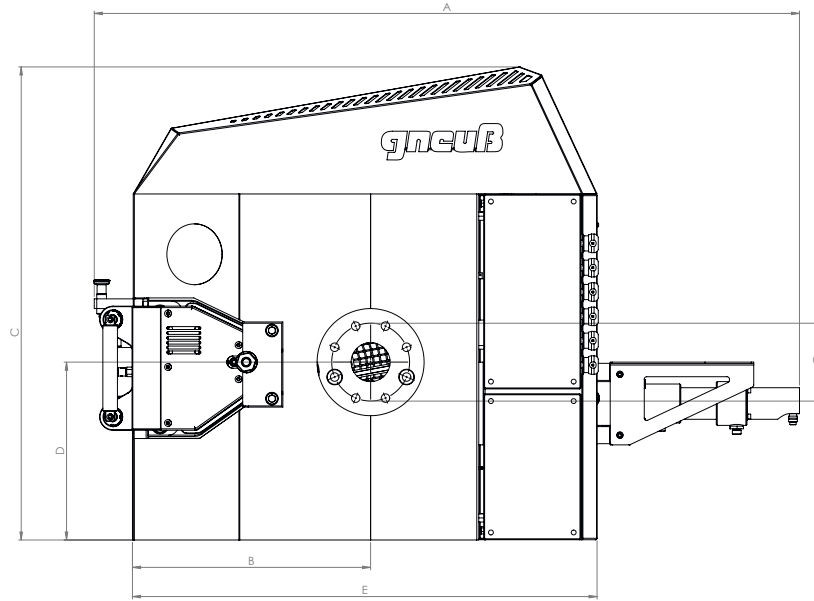


RSFgenius Series

Technical Data



Subject to modifications.

filter type	screen area in in ²		heating capacity in watt		electric heater zones ⁽¹⁾	pressure in psi max. ⁽²⁾	temp. in °F max. ⁽³⁾	Q in lbs/h ⁽⁴⁾	dimensions in inches									weight in lbs
	active	capacity/h	electric	liquid					A	B	C	D	E	F	G	H ⁽⁵⁾	I	
RSFgenius 45	9	263	7,960	9,000	3	5,000	600	570	41.5	13.0	30.1	8.3	19.1	7.7	4.3	0.8	4.7	700
RSFgenius 60	15	341	8,200	9,000	3	5,000	600	1,050	47.5	12.8	26.0	9.0	18.7	7.7	4.3	1.0	7.8	700
RSFgenius 75	23	434	8,600	9,000	3	5,000	600	1,550	49.4	13.8	29.7	9.4	21.1	9.1	5.5	1.0	7.4	900
RSFgenius 90	40	682	18,480	24,000	4	4,350	600	2,450	54.3	18.1	35.3	12.5	25.2	12.9	6.3	1.0	8.3	2,000
RSFgenius 110	48	807	18,480	24,000	4	3,500	600	3,150	54.3	18.1	35.3	12.5	25.2	12.9	6.3	1.0	8.3	2,000
RSFgenius 150	70	1,085	14,300	24,000	4	4,350	600	4,650	57.0	19.2	38.3	14.4	28.0	14.6	6.3	1.4	8.3	2,600
RSFgenius 175	108	1,503	21,300	36,000	4	3,500	600	7,300	71.5	24.8	49.7	18.7	35.0	16.5	8.7	1.6	9.4	4,400
RSFgenius 200	150	1,906	39,000	48,000	6	2,900	600	10,050	77.0	27.8	56.3	21.7	40.9	22.3	9.8	1.8	9.4	8,400
RSFgenius 250	209	2,449	46,000	48,000	6	2,900	600	14,000	79.9	30.7	61.5	24.4	43.7	24.5	9.8	2.0	11.2	10,600
RSFgenius 330	333	3,704	3,500	60,000	1	2,900	600	22,300	103.8	42.2	72.1	29.1	54.1	31.7	9.8	2.0	12.5	21,000
RSFgenius 400	434	4,789	4,000	72,000	1	2,600	600	29,000	113.0	44.6	82.9	33.3	63.3	33.5	13.8	2.0	10.1	28,700

1 – 1 heater zone for liquid heating | 2 – high pressure versions available as an option | 3 – up to 750 °F possible as an option

4 – based on: 10,000 poise, 60 microns and Δp 600psi | 5 – The dimension „H” can be freely chosen, the values given are minimum values.

Also available in ATEX design.